

34002

Universal Indicator Stand

Type

Top and side surfaces precision ground, prismatic bottom for touch down on shafts and cylindrical workpieces. Post adjustable and may be locked at the bottom by large star knob. Transverse arm adjustable by a clamping device on post. For exactly setting the dial, a **fine adjustment device** is mounted on the transverse arm. **Dial indicator hole 8 mm** (h 6) and dovetail for lever gauges. **Dial indicator not included.**

Note:

Dial indicators and lever gauges see cat.-no. 33001 cont. and 33246 cont.

34002



Vertical capacity approx. mm	Working radius mm	Transverse arm Ø mm	Post Ø approx. mm	Base size approx. mm	Weight kg	34002 ...
300	180	16	16	250 x 60	3,8	101

34003

Magnetic Holder

Type

Flat base, horizontally and vertically adjustable, for dials with **shank Ø 8 mm** (h 6). Flat contact surface, high adhesion thanks to 2 sintered magnets built into the base.

Note:

Dial indicators and lever gauges see cat.-no. 33001 cont. and 33246 cont.

34003



L x W x H approx. mm	34003 ...
70 x 35 x 43	101

34008

Magnetic Indicator Stand

Type

With 2 holes for accepting small and standard dial indicators having a **shank diameter of 4 or 8 mm** as well as dovetail end, **with fine adjustment.**

Note:

Dial indicators and lever gauges see cat.-no. 33001 cont. and 33246 cont.

34008



Overall height mm	Working radius approx. mm	Base Ø approx. mm	Magnetic force approx. N	34008 ...
170	105	35	250	101

34012

Magnetic Indicator Stands (Link Type)

ATORN®

Type

Magnetic base, operating system: rotary switch. With movable post, allowing the dial indicator to be applied to points with poor access. Prism notch next to the post for mounting cylindrical parts. Operating the excentric clamping lever makes the post completely rigid. Regulating nut for adjusting cable tension. The sturdy mechanical design and special treatment of the ball joint surfaces ensures lasting accuracy.

Note:

Magnetic base and post are available as single parts on request. Dial indicators and lever gauges see cat.-no. 33001 cont. and 33246 cont.

NEW

34012



Overall height mm	Magnetic base approx. mm	Magnetic force approx. N	Number of magnetic sides	34012 ...
380	70 x 46 x 65	600	2	102

• Magnetic Indicator Stands • Indicator Stands • Indicator stands

34013

Magnetic Indicator Stand

Type

Base with powerful permanent magnet, high adhesion. Can be switched on and off using rotary switch. Prism bottom, transverse arm with joint and **dial indicator fine adjustment**, for dial indicators with a **shank Ø of 8 mm** (h 6), post and transverse arm chrome-plated.

Note:

Magnetic base and post are available as single parts on request.
Dial indicators and lever gauges see cat.-no. 33001 cont. and 33246 cont.



34013

Overall height	Overhang	Post Ø	transverse arm Ø	Magnetic base	34013	...
mm	approx. mm	approx. mm	approx. mm	approx. mm		
230	150	12	10	65 x 48 x 55		101

34014

Magnetic Indicator Stand

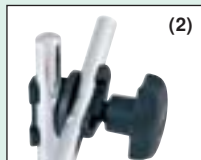


Type

Switchable magnetic base with precise fine adjustment (1) and prismatic bottom. Patented clamping system, 3-point clamping mechanism (2). Multi-purpose dial indicator mount: 6 and 8 mm, 3/8 inch, prisms, and eyelets (3).

Note:

Dial indicators and lever gauges see cat.-no. 33001 cont. and 33246 cont.



34014

Overall height	Post Ø x height	Transverse arm Ø x length	Magnetic base	Magnetic force	Thread size of magnetic base	34014	...
mm	mm	mm	mm	N			
270	14 x 203	12 x 185	60 x 50 x 55	800	M 8		101

34015 - 34018

Magnetic Indicator Stand

34015

Type

With high adhesion force, can be switched on and off by rotary switch. Prism notch in base. Transverse arm with joint and **dial indicator fine adjustment feature**, for dial indicators with a **shank Ø of 8 mm** (h 6) and dovetail. Post and transverse arm chrome finish. Working radius 180mm, transverse arm Ø 16 mm, **dial indicator not included**.

34016

Wooden case, empty.

34017

Magnetic base, single.

34018

Post, single.

Note:

Dial indicators and lever gauges see cat.-no. 33001 cont. and 33246 cont.



34016



34015



34017



34018

Overall height	Post Ø	Magnetic base	Magnetic force	Indicator stand	Wooden box	Magnetic base	Post
				34015	34016	34017	34018
mm	mm	approx. mm	approx. N
285	16	70 x 46 x 65	600	101	101	101	101
500	20	75 x 60 x 80	800	102		102	102

34019

Precision Magnetic Indicator Stands



Type

High stability and measuring accuracy. Positioning very easy and comfortable. Safe, stable basis. Strong central lock with robust aluminium clamping jaws. Additional joint in front of the fine adjustment. Precise micro fine adjustment with combination mount for dial indicators with a shaft \varnothing of 8 mm and lever gauges with dovetail. Strong switch-on/off magnet. **Dial indicator/lever gauge not included.**



Overall height mm	Transverse arm \varnothing x L mm	Vertical arm \varnothing x L mm	Micro fine adjustment \varnothing 8 mm	Magnetic force approx. N	Base size L x W x H mm	34019 ...
277	8 x 75	10 x 106	x	300	34 x 30 x 35	101
367	10 x 106	12 x 156	x	750	60 x 50 x 55	102
453	12 x 164	14 x 184	x	750	60 x 50 x 55	103

34027

3D Link-Type Indicator Stands for highest Precision



STRATO μ -LINE

Type

Upgrade of the STRATO-LINE to the high-precision level. Precision fine adjustment with extraordinary setting comfort and high repeatability, especially for measurements of μ m. **Exact positioning within seconds.** FISO indicator stands can be positioned exactly with ease. Mechanical central lock for tightening and loosening of all three joints. Short clamping distance for greatest comfort. **Powerful and permanent clamping.** Friction clamping based on an infinitely adjustable, solely mechanical clamping system. The indicator stands are extremely stable thanks to the high-precision ball joint. Due to the pre-clamping the indicator stands will not collapse when loosened. This protects your measuring instruments. Maintenance-free, long service life. Made of steel, free from float, for exact positioning of the measuring instruments and high measuring and repetition accuracy. Combination mount for dial indicators, electronic measuring probe \varnothing with a **shank of 8 mm** and lever gauges with **dovetail**. Delivery in polystyrol or cardboard box, **dial indicator and lever gauge not included.**

Quality

High precision ball joints made of steel, red anodised transverse arms made of high quality light metal, micro fine adjustment device made of steel.

Note:

Dial indicators and lever gauges see cat.-no. 33001 cont. and 33246 cont.

34027 101

Type

With **switch-on/off magnet** with prism base, turning switch.

34027 102

Type

With **sliding base made of granite**, face ground, underside hollow ground within 0,01 mm, with dust grooves.

Application

Great gliding characteristics on stone test plates, e.g. for checking parallelism.

NEW

34027 101



34027 102



Overall height mm	Working radius mm	Base size mm	Magnetic force approx. N	34027 ...
444	330	75 x 50 x 55	900	101
439	330	150 x 120 x 50 x 50	-	102

• Indicator stands • Mounted Indicator Stands

34020

3D precision indicator stands



STRATO-LINE

Type

Exact positioning within seconds. FISSO indicator stands can be positioned exactly with ease. Mechanical central lock for tightening and loosening of all three joints. Short clamping distance for greatest comfort.

Powerful and permanent clamping. Friction clamping based on an infinitely adjustable, solely mechanical clamping system. The indicator stands are extremely stable thanks to the high-precision ball joint. Due to the pre-clamping the indicator stands will not collapse when loosened. This protects your measuring instruments. Maintenance-free, long service life.

Precise micro fine adjustment. Made of steel, free from float, for exact positioning of the measuring instruments and high measuring and repetition accuracy. Combination mount for dial indicators, electronical measuring probe with a shank Ø of 8 mm and lever gauges with dovetail. Delivery in polystyrol or cardboard box, **dial indicator and lever gauge not included.**

Quality

High precision ball joints made of steel, red anodised transverse arms made of high quality light metal, micro fine adjustment device made of steel.

Note:

Dial indicators and lever gauges see cat.-no. 33001 cont. and 33246 cont.

34020 110-115
STRATO M-28

Standard type

With continuous adjustable pre-clamping.

34020 110

With **switch-on/off magnet**, 750 N magnetic force.

34020 112

With **switch-on/off magnet**, 900 N adhesion force.

34020 115

With **vacuum base**, proper use on natural stone test plates as well as for all flat and non-porous surfaces. Strong adhesion. On-off function by using the switch lever. **No air pressure or other energy required.**

34020 118-126

STRATO S-20

Small type

Especially suitable for lever gauges.

34020 118

With **switch-on/off magnet**, 750 N magnetic force.

34020 120

With **pot magnet**, 300 N adhesion force (permanent).

34020 126

With **switch-on/off Anyform magnet**, 600 N adhesion force. Especially suitable for uneven surfaces (machine body sheets, cast iron etc.). 70 steel segments provide for easy and precise fit on all forms.

34020 130-132

STRATO XS-13

The smallest indicator stand for use of precision lever gauges built in measuring instruments on machine tools, to points with poor access and limited space conditions.

34020 130

High-power **switch-on/off magnet with prismatic base**, 300 N adhesion force, turning switch.

34020 132

With **pot magnet**, 170 N adhesion force.

34020 110-112



34020 115



34020 118



34020 120



34020 126



34020 130



34020 132



Overall height	Working radius	Base size	Magnetic force	34020	...
mm	mm	mm	approx. N		
390	280	60 x 50 x 55	750	110	
390	280	75 x 50 x 55	900	112	
375	280	Ø 90 x 27	400	115	
310	200	60 x 50 x 55	750	118	

Overall height	Working radius	Base size	Magnetic force	34020	...
mm	mm	mm	approx. N		
330	200	Ø 40	300	120	
320	200	91 x 52 x 55	600	126	
220	130	34 x 30 x 35	300	130	
205	130	Ø 30	170	132	

34021

Mounted Indicator Stands



STRATO-LINE

Type

Mounted indicator stands made in Switzerland. Exact positioning within seconds. FISO indicator stands can be positioned exactly with ease. Mechanical central lock for tightening and loosening of all three joints. Short clamping distance for greatest comfort. Powerful and permanent clamping. Friction clamping based on an infinitely adjustable, solely mechanical clamping system. The indicator stands are extremely stable thanks to the high-precision ball joint. Due to the pre-clamping the indicator stands will not collapse when loosened. This protects your measuring instruments. Maintenance-free, long service life.

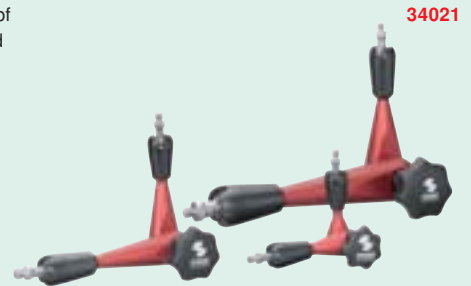
Made of steel, free from float, for exact positioning of the measuring instruments and high measuring and repetition accuracy. Delivered in polystyrene or cardboard box.

Application

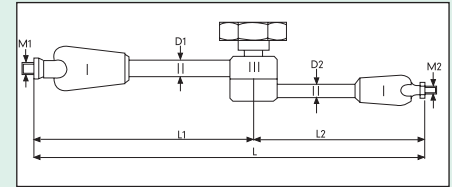
Proper use as a mounted element within machine and apparatus engineering.

Quality

High precision ball joints made of steel, red anodised transverse arms made of high quality light metal, micro fine adjustment device made of steel.



34021



Type	L mm	L1 mm	D1 mm	M1 mm	L2 mm	D2 mm	M2 mm	Load capacity N	34021 ...
STRATO XS-13	130	70	9	M6	60	8	M6	30	101
STRATO S-20	200	120	10	M8	80	9	M6	40	102
STRATO M-28	280	170	16	M8	110	10	M6	70	103

34022

3D Precision Indicator Stands



CLASSIC-LINE

Type

Exact positioning within seconds. FISO indicator stands can be positioned exactly with ease. Mechanical central lock for tightening and loosening of all three joints. Short clamping distance for greatest comfort.

Powerful and permanent clamping. Friction clamping based on an infinitely adjustable, solely mechanical clamping system. The indicator stands are extremely stable thanks to the high-precision ball joint. Due to the pre-clamping the indicator stands will not collapse when loosened. This protects your measuring instruments. Maintenance-free, long service life.

Precise micro fine adjustment. Made of steel, free from float, for exact positioning of the measuring instruments and high measuring and repetition accuracy. Combination mount for dial indicators, electronical **measuring probe with a shank Ø of 8 mm** and lever gauges with dovetail. Delivery in polystyrol or cardboard box, **dial indicator and lever gauge not included.**

Quality

High precision ball joints made of steel, chrome finish transverse arms made of high quality light metal, micro fine adjustment device made of steel.

Note:

Dial indicators and lever gauges see cat.-no. 33001 cont. and 33246 cont.

34022 089

Type

Switch-on/off magnet with prism base. 300 N magnetic force, turning switch.

Application

For dial indicators and probes in all areas mechanic and for hard-to-reach places.

34022 090 - 096

Type

High-power switch-on/off magnet with prismatic base, 750 N adhesion force, turning switch.

Application

For dial indicators and probes in all areas of mechanics.

34022 101

Type

High-power switch-on/off magnet with prismatic base, 900 N adhesion force, turning switch.

Application

For big workpieces and machines.

34022 102

Type

High-power switch-on/off magnet, 1200 N adhesion force, turning switch.

Application

For extremely big workpieces and machines.



34022 089

34022 090

34022 096

34022 101

34022 102

Overall height mm	Working radius mm	Base size mm	Magnetic force approx. N	34022 ...
220	130	34 x 30 x 35	300	089 NEW
310	200	60 x 50 x 55	750	090
390	280	60 x 50 x 55	750	096
530	420	75 x 50 x 55	900	101
730	620	120 x 60 x 55	1200	102

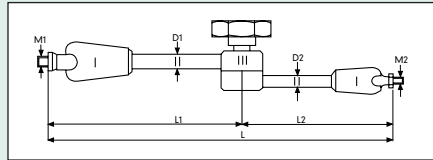
• Mounted Indicator Stands • Legs • Holder • Indicator stands • Link-Type Indicator Stand

34023 Mounted Indicator Stands



Type
Mounted indicator stands made in Switzerland. With mechanical central lock. Unlimited flexibility, mechanical central lock patented with one single act all three joints can be fixed maintenance-free. High precision thanks to a solide construction. Delivery in cardboard box.

Application
Proper use as a mounted element within machine and apparatus engineering.
Quality
High-precision ball joints made of steel.



L mm	L1 mm	D1 mm	M1 mm	L2 mm	D2 mm	M2 mm	Load capacity N	34023 ...
200	115	10	M8	85	9	M6	40	101
280	155	12	M8	125	10	M6	70	102
360	180	12	M8	180	12	M8	60	103
620	335	18	M12	285	18	M12	120	106

34024 Magnets/Vacuum Bases/Sliding Bases (Granite)



34024 101-102
Type
High-power **switch-on/off magnet** with prismatic base, turning switch.

34024 103
Type
High-power **switch-on/off magnet** with smooth base, turning switch.

34024 110
Type
Switch-on/off Anyform magnet, adhesion independent of form. Can be switched on and off using rotary switch. 70 steel segments provide for easy and precise fit on all forms.

34024 105-106
Type
Round **pot magnet**. No switch.

34024 107
Type
High-power switch-on/off magnet with prismatic base, turning switch.

34024 108
Type
Vacuum base, strong permanent adhesion. On-off function by using the switch lever. No air pressure or other energy required.

Application
Especially suitable for use on natural stone test plates as well as for all flat and non-porous surfaces.

34024 109
Type
Sliding base made of granite, base surface hollow ground, with a tolerance of 0,01 mm, with dust grooves. Made of black Diabas granite, ground face.

Application
Great gliding characteristics on stone test plates, e.g. for checking parallelism.



Description	on/off-switch	Dimensions mm	Magnetic force N	Thread	34024 ...
Switch-on/off magnet M	x	60 x 55 x 50	750	M8	101
Switch-on/off magnet SM	x	75 x 55 x 50	900	M8	102
Switch-on/off magnet MM	x	120 x 55 x 60	1200	M10 x 1,25	103
Anyformmagnet AMO	x	91 x 52 x 55	600	M8	110
Pot magnet TMS	-	∅ 30	170	M6	105
Pot magnet TM	-	∅ 40	300	M8	106
Switch-on/off magnet S	x	34 x 30 x 35	300	M6	107
Vacuum base V	x	∅ 88	-	M8	108
Sliding base made of granite G	-	150 x 120 x 50	-	M8	109

34025

Holders for Dial Indicators and Lever Gauges



Application

Combination mount for dial indicators, electronic measuring probe with a shank of Ø 8 mm and lever gauges with dovetail.

34025 101-102

Type

With micro-fine adjustment and clamping.

Application

Suitable for mount-on link-type indicator stands cat.-no. 34023.

34025 103

Type

Precision fine adjustment with dovetail.

Application

Suitable for mount-on link-type indicator stands cat.-no. 34021.

34025 101-102



34025 103



Mounting hole mm	Dovetail	Connecting thread	34025 ...
8	X	M6	101
8	X	M8	102
8	X	M8	103 NEW

34026

Precision Indicator Stands, Set



34026 201

Mechanic's kit

Type

Consists of precision indicator stand (radius 130 mm), lever gauge and sturdy case.

Application

For different tasks such as measurements of deviations in shape, or position, as well as adjustment works of machines, even under extreme conditions.

34026 102

Set for natural stone measuring plates

Type

Consists of precision indicator stand (radius 280 mm), micro-fine adjustment with 8 mm shank mount, vacuum base, base made of granite, wrench for pretensioning the joint and sturdy case.

Application

Vacuum base for steady mounting of the stand to the measuring plate. With natural stone base plinth, in case the stand needs to be moved.

34026 201



34026 102



Type	34026 ...
Mechanic's kit	201
Set for natural stone measuring plates	102

21780

Link-Type Indicator Stand

Type

Mechanical centre clamping of all links, clamping power infinitely adjustable, each position within working range can be reached. Dial indicator gauge with a shank Ø of 8 mm, length = 40 mm for direct mounting into the machine (collet!).

Application

For lever gauges. Suitable for: workpiece positioning, centring of bores/pilots, aligning of workpieces, for difficult to reach areas.

Note:

Lever gauges see cat.-no. 33246 cont.

21780



	21780 ...
	201

• Magnetic Indicator Stands • Measuring table

34030

Magnetic Indicator Stand

Type

Clamping: mechanical, with indicator stands, which guarantees absolute rigidity at great mobility and a large working range by means of central lock. Dial indicator mounting hole \varnothing 8 mm, with fine adjustment and additional dovetail mount.

Application

Especially suitable for series testing works.

Note:

Dial indicators and lever gauges see cat.-no. 33001 cont. and 33246 cont.

34030



Overall height mm	Magnetic base approx. mm	Magnetic force approx. N	Weight approx. kg	34030	...
390	60 x 50 x 55	785	1,6		101

34612

Small Dial Comparator

Type

Fixed measuring arm, round tabletop, stable design, post made of solid stock, tabletop hardened, ground, and lapped. Accuracy in compliance with DIN 876/0. For dial indicators with a shank \varnothing of 8 mm (H 6), locked in position by star knob, dial indicator not included.

Note:

Dial indicators and lever gauges see cat.-no. 33001 cont. and 33246 cont.

34612



Vertical capacity approx. mm	Working radius approx. mm	Post \varnothing approx. mm	Table \varnothing approx. mm	Weight approx. kg	34612	...
100	49	22	50	2,3		101

34613

Small Dial Comparator

Type

Tabletop hardened, ground and lapped, flatness acc. to DIN 876/0, with dust grooves. Post hardened and finest ground, for dial indicators with a shank of \varnothing 8 mm (H 6), without dial indicator.

Note:

Dial indicators and lever gauges see cat.-no. 33001 cont. and 33246 cont.

34613



Vertical capacity approx. mm	Overhang approx. mm	Post \varnothing approx. mm	Overall height mm	Table approx. mm	34613	...
100	49	22	200	60 x 68		101

34621

Dial Comparator

Type

Tabletop hardened, ground and adjusted, with dirt grooves. Post and transverse arm chrome finish. Flatness of tabletop 0,002 mm. For dial indicators with a shank \varnothing of 8 mm (6H7)

Note:

Dial indicators and lever gauges see cat.-no. 33001 cont. and 33246 cont.

34621



Vertical capacity approx. mm	Working radius approx. mm	Post \varnothing approx. mm	Table approx. mm	Weight approx. kg	34621	...
200	180	35	180 x 105	18		103
200	180	35	215 x 180	24		104

34622

Precision Dial Comparator



Type

With thread and setting ring, transverse arm with fine adjustment, 85 mm working radius, table plate with dust grooves, hardened, ground and lapped. Measuring table based on 3 points, horizontally adjustable with 2 axes for use of measuring sets with large diameters. **Flatness of tabletop in compliance with DIN 876, Part 2, accuracy 0**, for dial indicators with a shank Ø of 8 mm (h 6).

Note:

Dial indicators and lever gauges see cat.-no. 33001 cont. and 33246 cont.

34622



Vertical capacity approx. mm	Post Ø approx. mm	Tabletop approx. mm	Overall height mm	Weight approx. kg	34622	...
150	35	95 x 95	300	9		101

34623

Precision Natural Stone Dial Comparators



Type

Table plate made of high density, fine-grained, black natural stone at highest quality (lapped). The stone is absolutely free of inclusions. **Flatness of measuring surface 0,002 mm**. Hardness 6 according to Moh's hardness scale. Post with hard chrome finish and fine ground. Height adjustment and locking is done by using coarse thread with threaded nut positioned on the post (ball guided). **Flatness of tabletop in compliance with DIN 876/00 mm**. For dial indicators with a shank Ø of 8 mm (H7)

34623 102

Type

With parallel-fine adjustment.

34623 103

Type

With adjustable transverse arm.

34623 104

Type

With firm transverse arm, DIN 876/00.

34623 105

Type

With parallel-fine adjustment.

34623 106

Type

With adjustable transverse arm.

34623



Type	Vertical capacity approx. mm	Overall height approx. mm	Overhang approx. mm	Tabletop approx. mm	34623	...
with parallel fine adjustment	135	280	70	240 x 140 x 50		102
with adjustable transverse arm	165	280	160	240 x 140 x 50		103
with fixed transverse arm	200	360	100	300 x 210 x 60		104
with parallel fine adjustment	205	360	100	300 x 210 x 60		105
with adjustable transverse arm	235	360	225	300 x 210 x 60		106

34625

Precision Natural Stone Dial Comparators

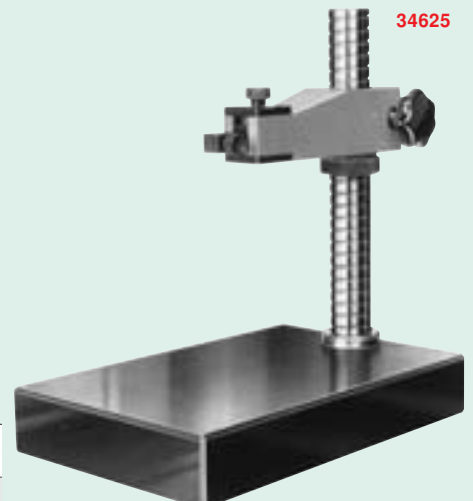
Type

With heavy natural stone base, with fine adjustment feature on transverse arm (parallel adjustment). Measuring table made of special selected material with highest finishing and hardness. Measuring surface fine diamond lapped, post with chrome finish, **flatness of tabletop 0,002 mm**, for dial indicators with a shank Ø of 8 mm (h 6).

Note:

Dial indicators and lever gauges see cat.-no. 33001 cont. and 33246 cont.

34625



Vertical capacity approx. mm	Working radius approx. mm	Post Ø approx. mm	Stand size approx. mm	Table surface approx. mm	Weight approx. kg	34625	...
200	120	35	260 x 140	200 x 140	9,5		102
200	120	35	300 x 200	240 x 200	13,0		104



3

34626

Test plates

Type

Accuracy in compliance with DIN 876/0. With metric thread adapter M 8.

Application

For mounting mount-on indicator stands.

Quality

Made of natural stone.

34626



Dimensions mm	Thread	Weight approx. kg	34626	...
150 x 150 x 40	1 x M8	3,5		101
400 x 250 x 50	3 x M8	16,0		102
400 x 400 x 50	3 x M8	25,0		103

www.atorn.com



Performance requires quality.

Dial indicators by ATORN:

- best manufacturing quality
- maximum precision
- long service life

This is but one example of **ATORN's** high-quality measuring tools.

ATORN[®]